



DENALI Plow Mount

MA11706T

RZR 1000XP, RZR900, RZR Turbo, General

Thank you for purchasing our DENALI plow mount. You now own a premium, custom plow mount to allow you to use your plow with your SxS. Please note the following instructions and heed all warnings.

- Your UTV/SxS and plow system can cause death or injury. Please use caution and common sense when operating your unit.
- Read your Plow Operators Manual, your Winch Operators Manual, and all warning labels before operating your UTV/SxS.
- Operate your UTV/SxS at a walking speed with the blade installed. Do not exceed 5 mph (8 km/h) even with the blade up.
- Do not operate the UTV/SxS on slopes greater than 10 degrees with the plow installed.
- Always lower the plow to the down position before leaving your UTV/SxS unattended.
-

SEVERE INJURY OR DEATH MAY RESULT IF YOU ARE NEGLIGENT.

**DENALI Plow Mount
MA11706T**

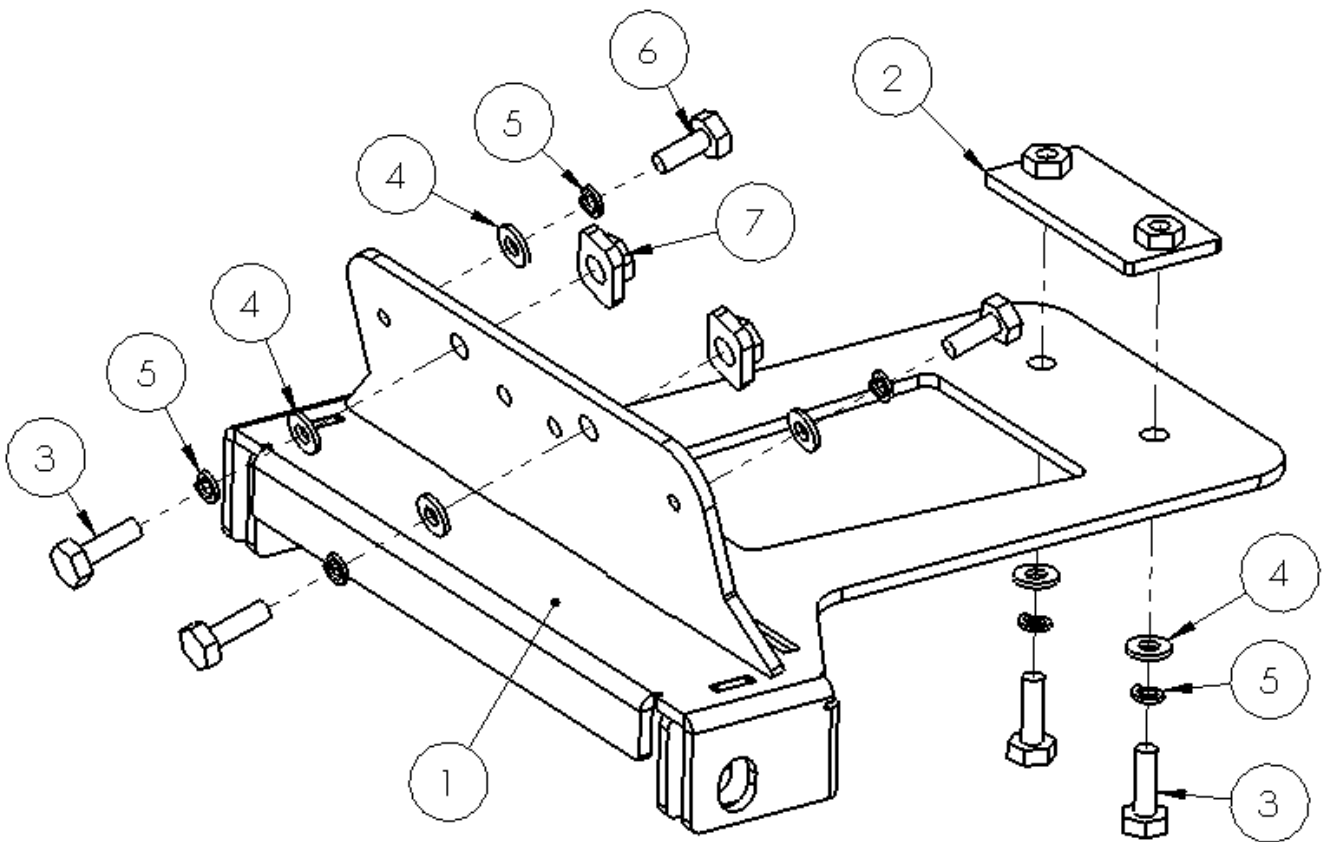


22000 Industrial Blvd
Rogers, MN 55374
866.527.7637

Please verify that all hardware and parts are included in your package.

Kit Contents:

| Item Number | Quantity | Part Number |
|-------------|----------|--------------------------|
| 1 | 1 | MA11706T Plow Mount |
| 2 | 1 | Rear Buckle |
| 3 | 4 | 3/8" x 1 1/4" HH G5 Bolt |
| 4 | 6 | 3/8" Flat Washers |
| 5 | 6 | 3/8" Lock Washers |
| 6 | 2 | 3/8" x 3/4" HH G5 Bolt |
| 7 | 2 | Welded Nut |



***For machines with an OEM Polaris Front Bumper begin at step 7 on page #5.**

MA11706T Polaris Plow Mount Installation (Standard)

1. Insert the Rear Buckle behind the differential and rest it on top of the underbody as shown in Figure 1.

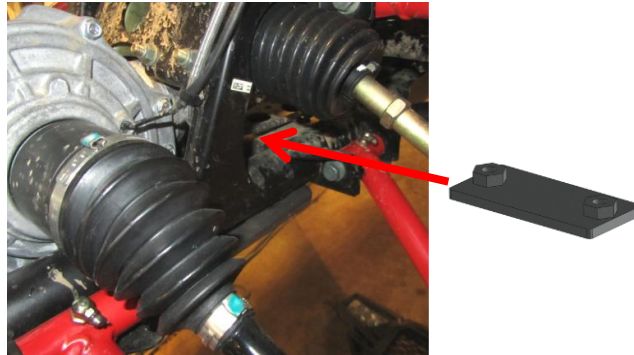


Figure 1

2. Hold the Plow Mount to the underbody such that the front angle piece rests against the front of the RZR. Align the rear holes in the mount with the two openings just behind the differential mounting bolts. Insert two (2) of the 3/8" x 1 1/4" Hex Bolts, Lock Washers, and Flat Washers through the rear holes and use the Rear Buckle to secure the mount to the frame, as shown in Figure 2. **Do not tighten these bolts at this time.**

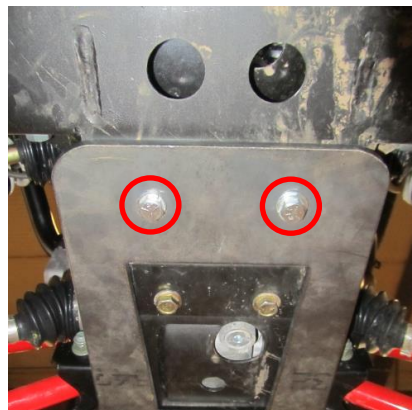


Figure 2

**DENALI Plow Mount
MA11706T**



motoalliance

22000 Industrial Blvd
Rogers, MN 55374
866.527.7637

3. Push the front of the mount up to the frame of the RZR and insert the two (2) middle $3/8'' \times 1 1/4''$ Hex Bolts, Lock Washers, Flat Washers, as shown in Figure 3. Use the Welded Nuts to secure these bolts. **NOTE:** It may be easier to remove the front plastic fender to gain additional access to tighten the bolts. The Welded Nuts should be placed at the back side of the front frame. **Do not tighten the bolts at this time.**



Figure 3

4. Install the remaining $3/8'' \times 3/4''$ Hex Bolts, Flat Washers and Lock Washers from the rear side of the angled face of the mount, as shown in Figure 4. These bolts are threaded into the plow mount itself. Tighten all the bolts at this time.



Figure 4

5. Attach your DENALI Plow using the Quick Release Pins and Quick Release Pin Washers included in your plow kit.
6. Installation is now complete.

Polaris Plow Mount Installation (With OEM Bumper)

7. Begin by removing the Front Bumper
8. Insert the Rear Buckle behind the differential and rest it on top of the underbody as shown in Figure 5.

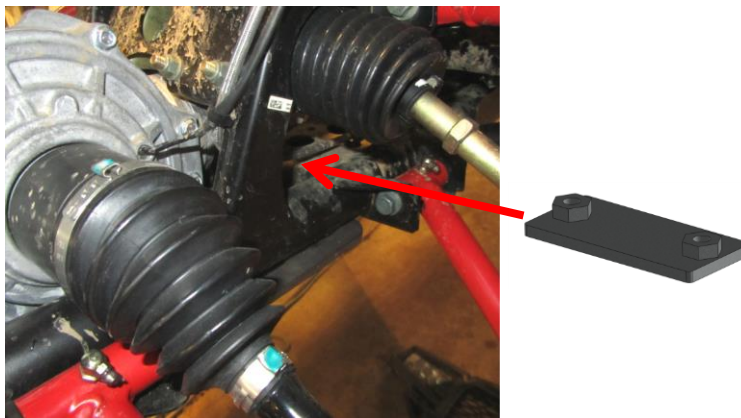


Figure 5

9. Hold the Plow Mount to the underbody such that the front angle piece rests against the front of the RZR. Align the rear holes in the mount with the two openings just behind the differential mounting bolts. Insert two (2) of the 3/8" x 1 1/4" Hex Bolts, Lock Washers, and Flat Washers through the rear holes and use the Rear Buckle to secure the mount to the frame, as shown in Figure 6. **Do not tighten these bolts at this time.**



Figure 6



- 10.** Install two (2) of the 3/8" x 3/4" Hex Bolts, Flat Washers and Lock Washers from the rear side of the angled face of the mount, as shown in Figure 7. These bolts are threaded into the plow mount itself. Do not use the wider set of center holes for this install. **Do not tighten the bolts at this time.**



Figure 7

- 11.** Reinstall the front bumper through the two center holes in the MA11706T Plow Mount using the factory hardware removed in Step 1. Tighten down all hardware.



Installed View

- 12.** Attach your DENALI Plow using the Quick Release Pins and Quick Release Pin Washers included in your plow kit.